

MASTERBATCH & polymeric compounds

Polymeric masterbatches are granule additives which are used to color or transfer other properties to the polymer.

Polymeric compounds (blends) are homogenous compounds of polymers and different additives. Polymeric compounds have an effective role in the polymer industry.

4th Alley, Dowran Blvd, Hemmat Square, Shokouhieh Industrial Park, Qom, IRAN (Islamic Republic Of) | Postal Code: 3738117691

www.saadatholding.com | office@saadatholding.com

☎ 0098 25 36136

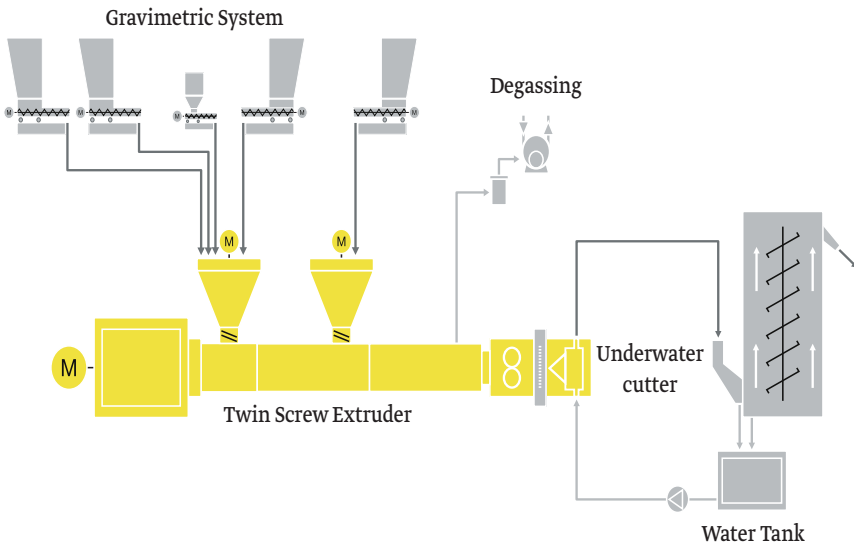


PRK

پارس رنگدانه خضراء ایرانیان
Pars Rangdaneh Khazra Iranian



هلدینگ سعادت
SAADAT HOLDING



Pars Rangdaneh khazra Iranian Company as a member of Saadat Holding, using twin screw compounding lines, German Brabender Gravimetric feeding system and underwater cutter system, according to the world's latest technology and also utilizing expert, experienced elite personnel, is able to produce and supply various types of masterbatches and polymeric compounds (polyethylene, polypropylene, polyethylene terephthalate, polyamides, rubbers and etc.) based on national and international standards.

Pars Rangdaneh khazra Iranian Company is able to produce and supply various types of masterbatches and polymeric compounds based on national and international standards.

Products:

High density black masterbatch used in:

- 1- Polyethylene (water) pipes
- 2- Gas pipes
- 3- Double wall polyethylene pipes

Low density black masterbatch used in :

- 4- Drip irrigation pipes
- 5- Drip irrigation tapes
- 6- Black polymeric films

Colored masterbatch used in:

- 7- Yellow masterbatch for corrugated pipes
- 8- Blue masterbatch for corrugated pipes

Polymeric compounds used in:

- 9- Outer layer of steel pipes
- 10- Drip irrigation pipes
- 11- Drip irrigation tapes
- 12- Car industry

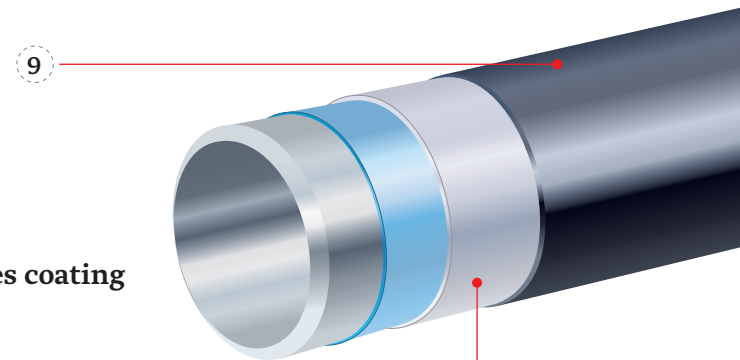
Thermoplastic elastomer blends used in:

- 13- Car industry
- 14- Industrial sealing gaskets

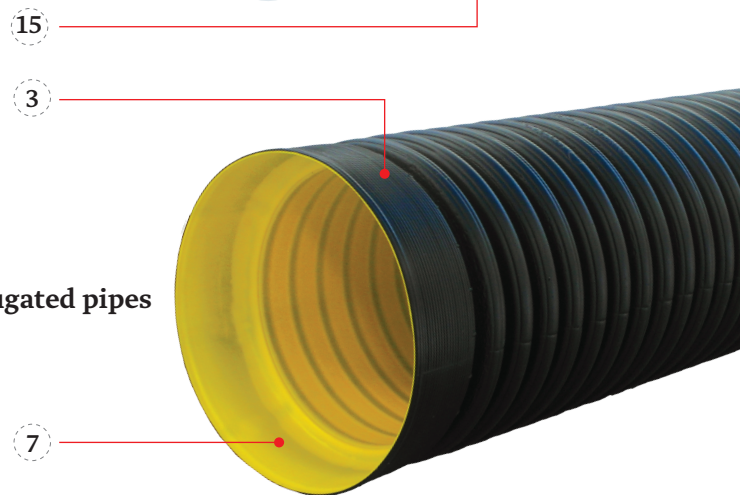
polymeric grafts used in:

- 15- Coating adhesive for steel pipes
- 16- Polymeric adhesives
- 17- Polymeric coupling agent
- 18- Polymeric compatibilizer

3 Layers steel pipes coating



Polyethylene corrugated pipes



Food industry packing

